

Panasonic
ideas for life

COMPACT CCVE SYSTEM

Streamline Colour Cameras
WV-CV201/WV-CV202
Colour Dome Cameras
WV-CV301/WV-CV302
36cm(14") Colour Quad Monitor
WV-CQ200



The CCVE Solution
Ideal for Security Market





Uses Double Twisted Pair Cable

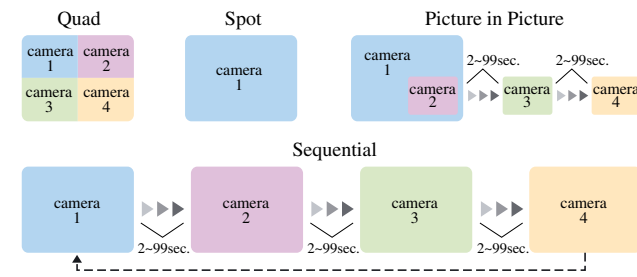
Because the same double twisted pair cable multiplexes video/audio signals and power, connecting the monitor and cameras is simple. Installing the cameras requires no additional work to add electrical power sources.

Microphone and Speaker Built-in

Cameras are equipped with Electret Condenser Microphones (ECM), and the monitor comes with built-in speaker. So, in addition to images, for more thorough surveillance, you can check sounds originating in the camera's vicinity.

Choice of Screen Formats

Choose any of four modes: Quad, Picture in Picture, Sequential or Spot. Sequential mode timing can be set anywhere from 2 to 99 seconds.



Built-in Motion Detector

Coverage and sensitivity of each camera's motion detector can be set independently. The motion detector can be used to start the VTR, turn-on a warning light, sound a buzzer, or automatically display the image captured by the camera.



Compatible with External Alarms

This system supports input from up to four sources, including door sensors, floor sensors, and interphones. As in the case of the motion detector, these inputs can be used to automatically turn on the VTR, etc., to ensure efficient capture of vital scenes.

Plug & Play. Super Cost Performance in a Four-Camera System.

This new Compact CCVE System from Panasonic combines four cameras and one monitor in a system that provides efficient surveillance in small retail applications. Just plug the monitor into a power outlet. Then, use standard Double Twisted Pair Cable to attach the cameras. With minimum effect on a shops atmosphere; these stylishly designed cameras integrate lens and mounts in, all-in-one units. They come in either Dome or Streamline types, four variations in all. This system is ideal for all sorts of small retail outlets including supermarkets, boutiques, convenience stores, drugstores, electrical appliance and jewellery stores.

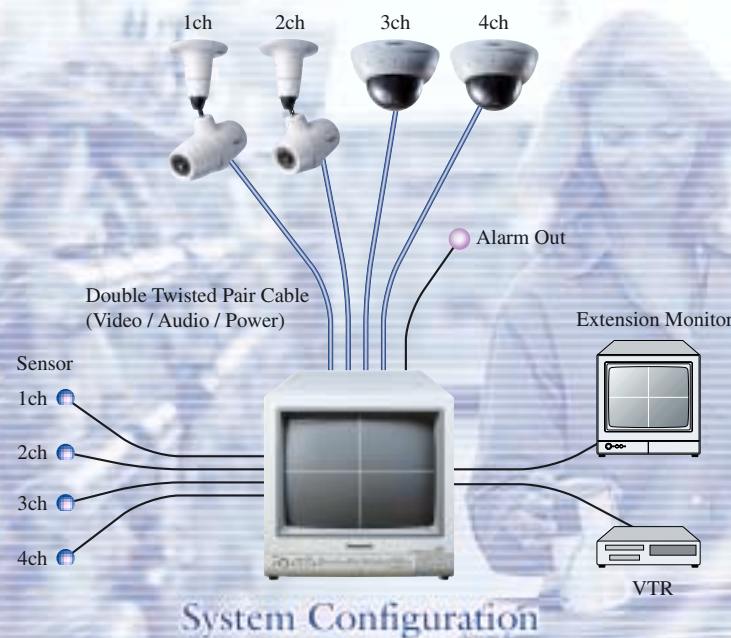
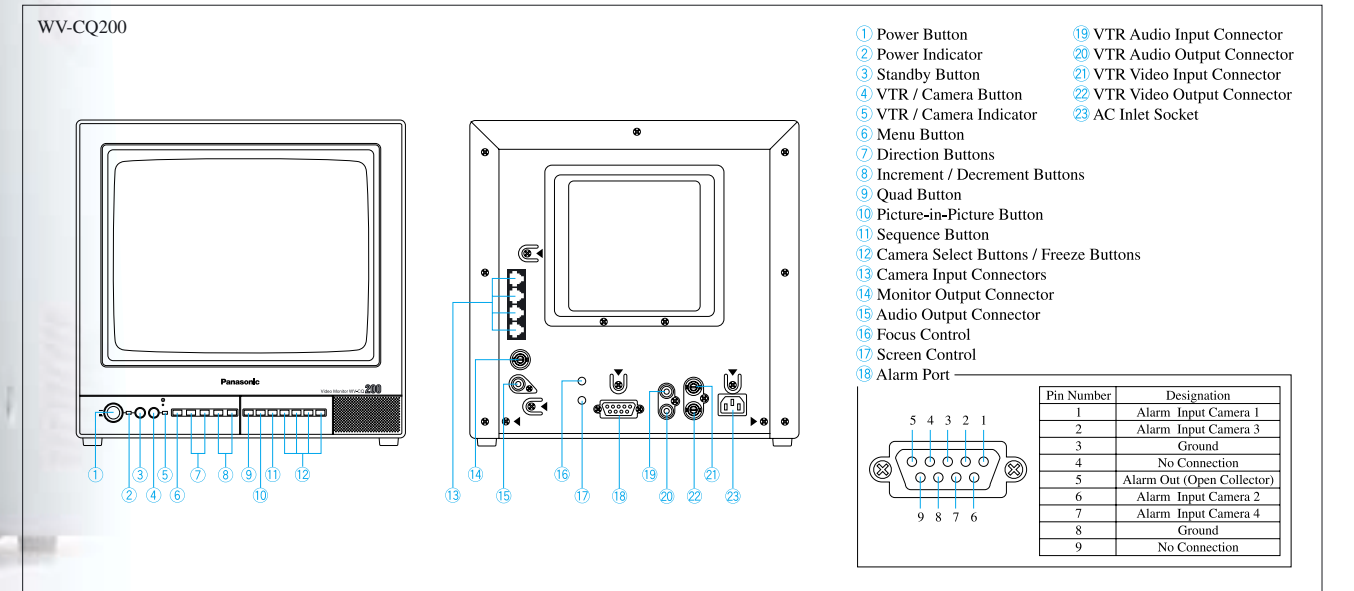
COMPACT CCVE SYSTEM

KEY FEATURES

- Streamline Colour Cameras
WV-CV201 (2.8-6.0mm, variable-focal lens)
WV-CV202 (2.45mm, F2.0)
- 330-line horizontal resolution.
 - Minimum illumination of 2.0 lux.
 - Built-in Electret Condenser Microphone.
 - Power source is supplied by quad monitor or DC12V.
- Colour Dome Cameras
WV-CV301 (4.3mm, F2.0)
WV-CV302 (2.45mm, F2.0)
- Compact colour dome camera for indoor use application.
 - 330-line horizontal resolution.
 - Minimum illumination of 2.0 lux.
 - Built-in Electret Condenser Microphone.
 - Power source is supplied by quad monitor or DC12V.

- 36cm(14") Colour Quad Monitor
WV-CQ200
- Picture display: Quad (1ch-4ch), Sequential (Dwell time: 1sec.-99sec.), Picture in Picture
 - 4ch video motion detector function
 - Time date & camera title (8 character) display
 - Freeze in Full screen
 - Event record in alarm & video loss
 - Buzzer for alarm & camera loss
 - User-friendly on-screen set up menu
 - Maximum distance between monitor to camera is approx. 200m
 - 4 (four) double twisted pair cables for camera connections are the standard accessories.

MAJOR OPERATING CONTROLS



36cm(14") Colour Quad Monitor
WV-CQ200



CAMERA SPECIFICATIONS PAL

Model No.	WV-CV201	WV-CV202	WV-CV301	WV-CV302	
CCD	1/4-type CCD				
Size	512(H) x 582(V)				
Pixel Size					
Lens	Focal Length	2.8 - 6mm	2.45mm	4.3mm	2.45mm
	F.No.	F1.4 - 1.8	F2.0	F2.0	F2.0
Horizontal Resolution	330 TVL				
Minimum Illumination	2 lux				
Synchronization	Internal				
Horizontal Scanning Frequency	15.625 kHz				
Vertical Scanning Frequency	50 Hz				
Light Control	Electronic Light Control (ELC)				
White Balance	ATW				
Microphone	ECM				
Maximum Cable Length	200m				
External Connector	Modular Jack				
	Video/Audio/Camera Power	Modular Jack (DC Power Connector)			
	DC 12V In	Modular Jack (BNC)			
	Video Out	Modular Jack (BNC)			
Power Source	Supplied by Quad monitor / DC12V				
Dimensions (W x H x D)	WV-CV201: 41.5 x 52.2 x 104 mm	Ø110(W) x 72(H) mm			
[excluding stand]	WV-CV202: 41.5 x 52.2 x 83.5 mm				
Accessories	Camera Stand	Yes	No		
	DC12/Video Cable	Yes			

MONITOR SPECIFICATIONS PAL

Model No.	WV-CQ200	
CRT	14" type	
Horizontal Resolution	330 lines at centre	
Sweep Linearity	5%	
Sweep Geometry	2%	
Overscanning	8%	
Speaker Output	0.5 W	
OSD	Picture Adjustment Menu	English, French, Spanish, Germany
	Quad Setup Menu	English (Displayed after 3 seconds pushing on menu button)
19-type Rack-mount	Yes	
Input/Output	Camera In (1ch-4ch)	Modular Jack
	Video In (VTR)	1.0V [p-p] composite / 75 Ω (BNC)
	Video Out (VTR)	1.0V [p-p] composite / 75 Ω (BNC)
	Audio In (VTR)	-8 dB, Hi-Z (RCA)
	Audio Out (VTR)	-10 dB, Lo-Z (RCA)
	Video Out	1.0V [p-p] composite / 75 Ω (BNC)
	Audio Out	-10 dB, Lo-Z (RCA)
	Alarm In (1ch-4ch)	Make contact input (9 pin, D-sub connector)
	Alarm Out	Open collector output, less than DC24V/100mA (9 pin, D-sub connector)
Quad	Refresh Rate	50 field/sec
	Sampling	720 (Horizontal)
	Gray Scale	512 level gray scale (9 bit)
Power Supply	AC220-240 V, 50 Hz	
Dimensions (W x H x D)	370 x 361 x 399 mm	
Accessory	Camera Cable	20m length x 4pcs

EXTENSION COLOUR MONITORS (OPTION)

Colour Monitors

WV-CM2080 55cm CRT **PS-Data**
 WV-CM1780 45cm CRT **PS-Data**
 WV-CM1480 40cm CRT **PS-Data**
 WV-CM1420 37cm CRT
 WV-CM1020 25cm CRT
 WV-CK2020 55cm CRT
 WV-CK1420 37cm CRT



B/W Monitors

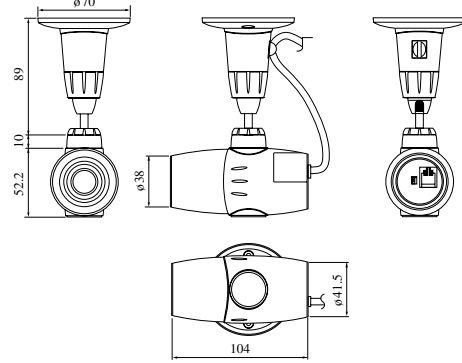
WV-BM1910 51cm CRT
 WV-BM1790 44cm CRT
 WV-BM1410 35cm CRT
 WV-BM990 25cm CRT
 WV-BM500 14cm CRT



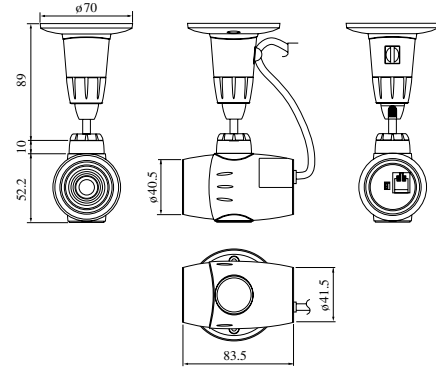
APPEARANCE

Unit: mm

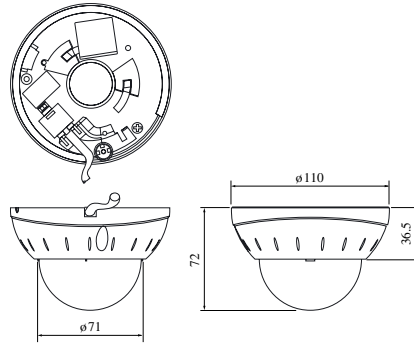
WV-CV201



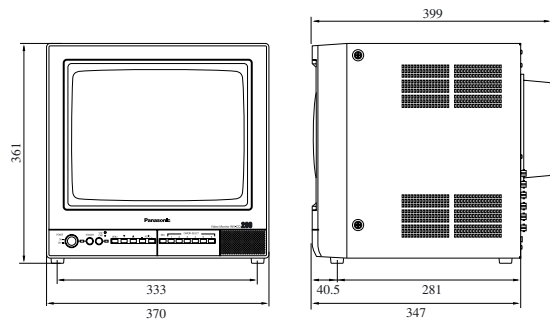
WV-CV202



WV-CV301 WV-CV302



WV-CQ200



• All TV pictures are simulated. • Weights and dimensions are approximate. • Specifications are subject to change without notice. • These products may be subject to export control regulations.

DISTRIBUTED BY:

Panasonic System Solutions Company
Matsushita Electric Industrial Co., Ltd.
 4-3-1, Tsunashima-higashi, Kohoku-ku, Yokohama,
 223-8639, Japan
 Tel 81(0)45-540-5769
 Fax 81(0)45-540-5773
 URL <http://panasonic.co.jp/pss/oct/en/index.html>

Panasonic

Panasonic is the brandname of Matsushita Electric.
 Printed in Japan
 WV-JKCQ200C[2N-715A]