



## A COST-EFFECTIVE COLOUR DOME CAMERA FEATURING 480 LINES OF HORIZONTAL RESOLUTION AND A 2x VARI-FOCAL LENS.

Panasonic introduces the WV-CF212, a new colour dome camera. The WV-CF212 incorporates a 1/4-type CCD with 440,000 pixels, boasting a horizontal resolution of more than 480 lines and a signal to noise ratio of 50dB. Other features include a minimum illumination of 2 lux at F1.4 (1.2 lux at 20 IRE or more), Back-Light Compensation (BLC), Aperture Correction and Auto Tracing White Balance (ATW). The WV-CF212 produces natural and clear colour images in locations where lighting is insufficient or where backlighting is a problem, such as doorways and windows.

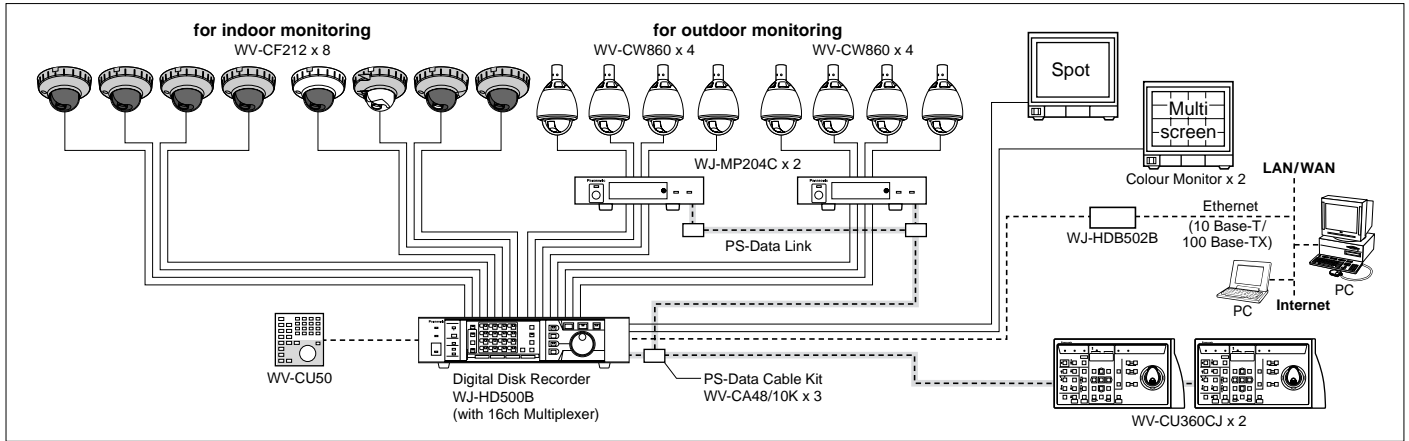
In addition, the WV-CF212 includes a 2x vari-focal lens with a focal length of 2.9 - 6.0mm (F1.4 - 1.7) as a standard feature. The field angle can be set during installation, ensuring images that match specific viewing requirements.

Featuring advanced specifications, as well as easy to install advantages, the WV-CF212 is the best choice for a wide variety of security applications.

### KEY FEATURES

- 80mm diameter compact colour dome camera for indoor use application.
- 480-line horizontal resolution.
- Minimum illumination of 2 lux at F1.4 (Wide), 1.2 lux at 20 IRE or more.
- 50dB signal to noise ratio.
- Built-in 2x variable-focal lens (2.9-6.0mm).
- 200° panning and 150° adjustable tilting angle.
- Built-in ELC (Electronic Light Control).
- Built-in aperture level correction.
- Advanced digital adaptive Back-Light Compensation (BLC) capability.
- Video monitor output jack for on the spot checking of the lens angle setting.
- Vertical drive (VD2) sync capability with Panasonic system products.
- 12V DC operation.

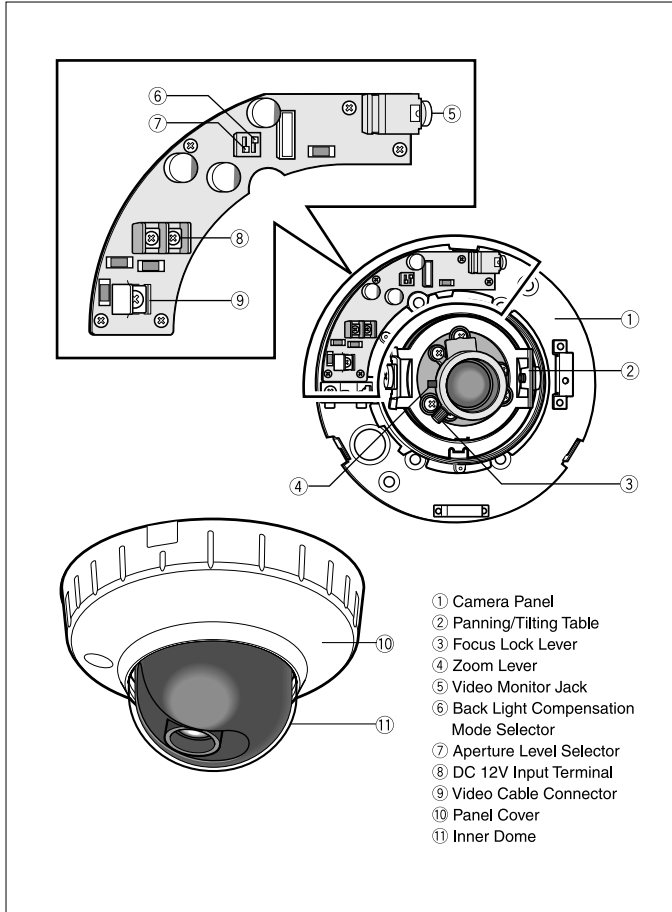
## SYSTEM EXAMPLE



## OPTIONAL COMPONENTS

<p>Digital Disk Recorders</p> <p><b>WJ-HD500B</b> (16ch)</p> <p><b>WJ-HD200</b> (8ch)</p> <p><b>WJ-HD100</b></p> <p><b>PS•Data</b></p> 	<p>System Controller</p> <p><b>WV-CU360CJ</b></p> <p><b>PS•Data</b></p> 	<p>Data Multiplex Unit</p> <p><b>WJ-MP204C</b></p> <p><b>PS•Data</b></p> 
--------------------------------------------------------------------------------------------------------------------------------------------------------------------------------------------------------------------------	------------------------------------------------------------------------------------------------------------------------------------------------------------	--------------------------------------------------------------------------------------------------------------------------------------------------------------

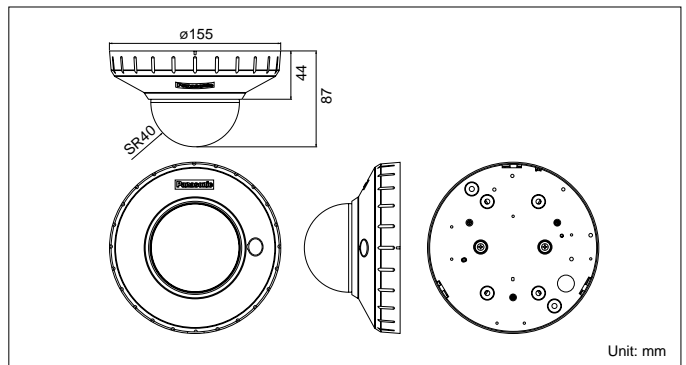
## MAJOR OPERATING CONTROLS



## SPECIFICATIONS PAL

<b>Model No.</b>	WV-CF212
<b>Type</b>	Dome type colour camera
<b>Pick Up Device</b>	752 (H) x 582 (V) pixels, interline transfer CCD
<b>Scanning Area</b>	3.6 (H) x 2.7 (V) mm, (Equivalent to 1/4" tube)
<b>Scanning</b>	625 lines/50 fields/25 frames
<b>Scanning System</b>	2:1 interlace
<b>Synchronization</b>	Internal or multiplexed vertical drive (VD2), selectable
<b>Video Output</b>	VBS 1.0V [p-p]/75Ω/PAL composite signal/BNC Connector x 1, RCA connector x 1
<b>Horizontal Resolution</b>	480 lines (at centre)
<b>Minimum Illumination</b>	2 lux at F1.4 (Wide), 1.2 lux at 20IRE or more
<b>Signal to Noise Ratio</b>	50dB (at AGC Off, Weight Off)
<b>Aperture Correction</b>	Sharp or Soft (selectable)
<b>Electronic Light Control</b>	equivalent to continuous variable shutter speeds between 1/50s and 1/15,000 s.
<b>Camera Angle</b>	Pan 200 degree (plus/minus 100 degree) Tilt 150 degree (plus/minus 75 degree)
<b>Lens Type</b>	2x variable focal lens
<b>Focal Length</b>	2.9 - 6.0 mm
<b>Aperture Ratio</b>	F1.4 (Wide) / F1.8 (Tele)
<b>Min. Object Distance</b>	1.2 m
<b>Power Source</b>	12V DC
<b>Power Consumption</b>	240mA
<b>Ambient Operation Temperature</b>	-10 °C - +50 °C
<b>Dimensions (approx.)</b>	ø155 (W) x 87 (H) mm
<b>Weight (approx.)</b>	0.33 kg

## APPEARANCE



• Weights and dimensions are approximate. • Specifications are subject to change without notice. • These products may be subject to export control regulations.

DISTRIBUTED BY:

# Panasonic

Panasonic is the brandname of Matsushita Electric.  
Printed in Japan  
WV-JKCF212T(2N-702B)